



GLOBEFAN TECHNOLOGY CO., LTD.

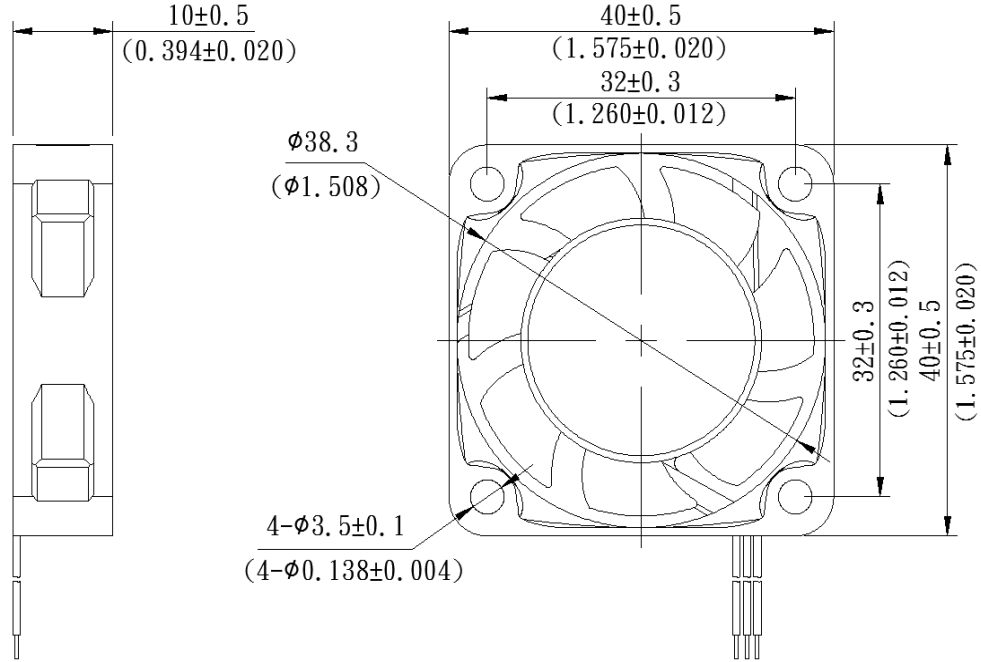
No. 28, 3 Lane Zhongxinjin Road, Jin Industry District Shoei Koou Village,

Da Laang Town, Dungguan City, Guangdong Province, China

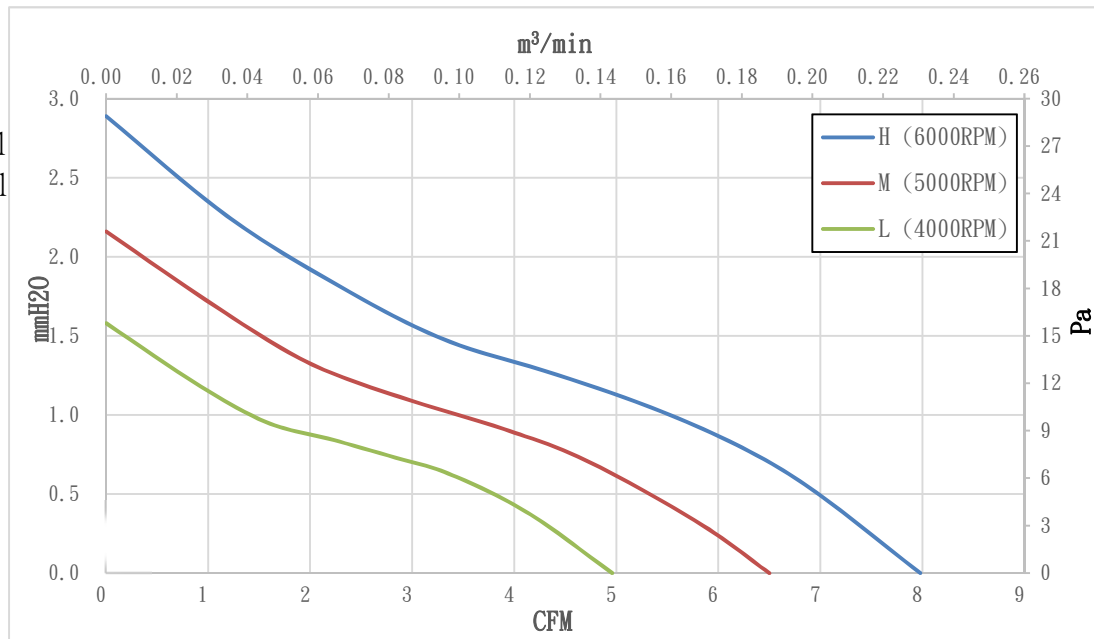
Tel : +86 769 83182898~9

Fax : +86 769 83182897

◆ DIMENSIONS DRAWING



◆ 40x40x10mm DC Axial Fan P/Q Curves (At rated speed) A Version



* BEARING TYPE

- Ball bearing
- Sleeve bearing

* Electrical Function

- Frequency Generator Output Signal
- RD (Lock Detection) Output Signal
-

* Material

Impeller: Plastic (PBT 30%GF)
Frame : Plastic (PBT 30%GF)

* Lead wires

UL1007 28AWG or Equivalent
Black Wire Negative (-)
Red or Yellow Wire Positive (+)
White Wire Signal (FG)

* Weight : 15.2g (0.54 oz)

MODEL	Operating Voltage Range	Rated Voltage	Rated Current	Rated Input Power	Speed	Maximum Air Flow		Maximum Air Pressure		Noise
Part No.	VDC	VDC	Amp	Watts	R.P.M	m ³ /min	CFM	mmH ₂ O	Pa	dB(A)
B/S0401012H	6 ~13.8	12	0.20	2.4	6000±10%	0.23	7.98	2.89	28.34	29.4
B/S0401012M	6~13.8	12	0.15	1.8	5000±10%	0.18	6.50	2.16	21.18	26.1
B/S0401012L	6 ~13.8	12	0.10	1.2	4000±10%	0.14	4.96	1.58	15.49	21.5

* Function type is optional.

* The max. air flow and speed are measured in free air; max. air pressure is measured at close to zero air flow.

* Noise is measured in anechoic chamber in free air, one meter from intake side.

* All readings are typical values at rated voltage.

* Specifications are subject to change without notice.